



Direct-on-line
starter
M0P00912...5

Product designation

Product type designation

Electrical features

Relay adj range	A	3-5	
IEC technical characteristics (=440V)	le kW	A kW	5 1.5...2.2

Components

Starter enclosure standard supplied	M0PA
Contactor standard supplied	BG0910A
Thermal relay standard supplied	RF95

UL technical data

Maximum UL/CSA horsepower ratings single-phase	220V-240V	HP	0.5
Maximum UL/CSA horsepower ratings three-phase, 3-pole	200V-208V	HP	1
	220V-240V	HP	1
	440V-480V	HP	3
	550V-600V	HP	3

Mechanical features

Weight	g	760
--------	---	-----

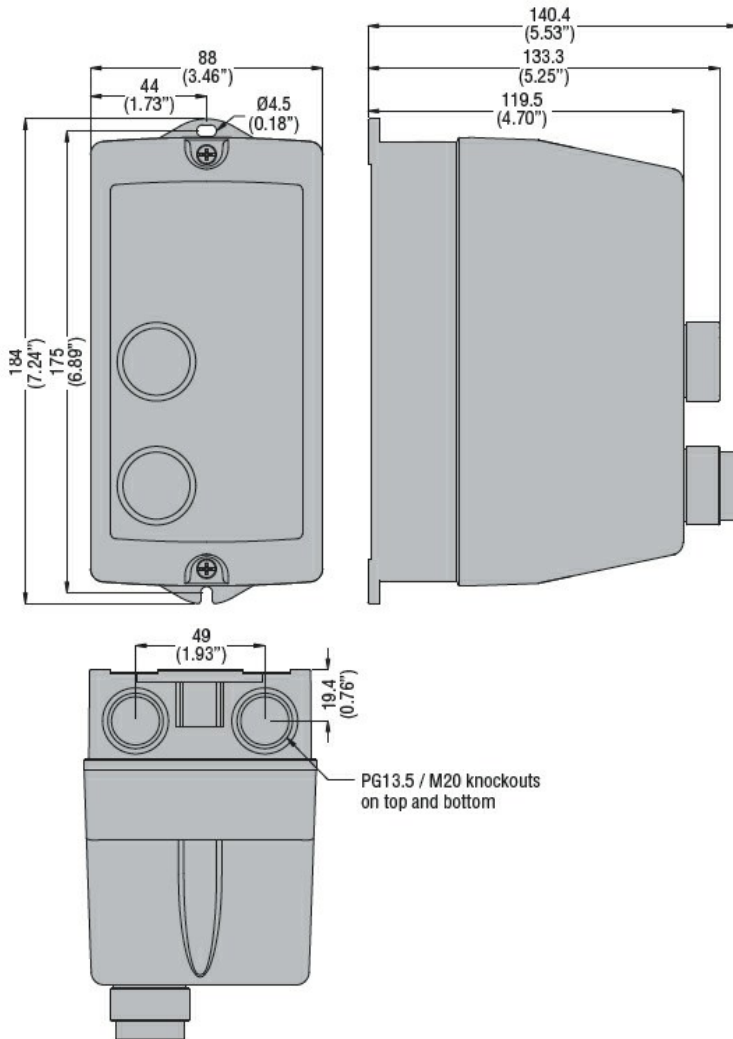
Ambient conditions

Operating temperature	min	°C	-25
	max	°C	+60
Storage temperature	min	°C	-40
	max	°C	+70

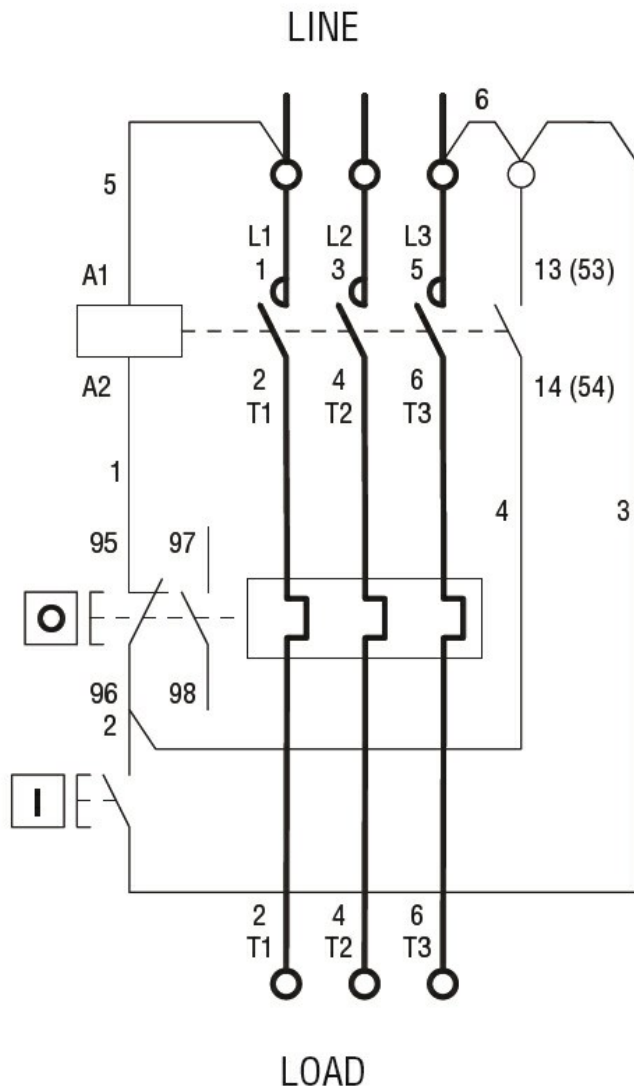
Resistance & Protection

Frontal IP degree	IP65
-------------------	------

Dimensions



Wiring diagrams



I = Start; O = Stop/Reset

Certifications and compliance

Compliance

IEC/EN 60947-1
IEC/EN 60947-4-1
UL508 CSA C22.2 n° 14

Certificates

CSAus
cULus
EAC

ETIM classification

ETIM 8.0

EC001037 -
Motor
starter/Motor
starter
combination